
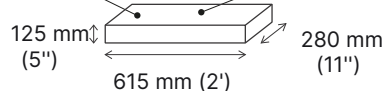
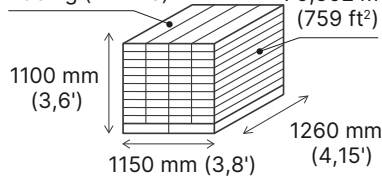



HARDWOOD FLOORING



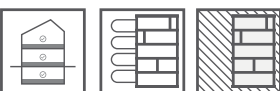
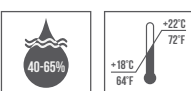
Notes: Pattern: Chevron  **Color:** Classic

PRODUCT INFO		PACKAGING		STRUCTURE
Species	White European Oak	BOX	12 kg (27 lb)	2-layer Engineered Construction Solid wood 4 mm Plywood*** *High Balance and Stability **Saw Cut White European Oak *** Birch water resistant plywood
Finish	UV Silk		1,102 m ² (12 ft ²)	
Structure	Engineered (2-layer)			
Joint	T&G			
Bevel	Micro (0,5 mm)			
Surface	Light Brush	PALLET	790 kg (1741 lb)	70,502 m ² (759 ft ²) 
Grade	Select			
DIMENSIONS				
Thickness	15 mm (5/8")			
Width	90 mm (3,55")			
Length	510 mm (20")			
Angle	45			

FINISH		DESCRIPTION										
Sheen \ Gloss	Matte	<table border="1"> <tr> <td>natural wood</td> <td>rare knots</td> </tr> <tr> <td>even texture</td> <td>perfect look</td> </tr> <tr> <td>uniform</td> <td>slight color variation</td> </tr> <tr> <td>clean planks</td> <td>minimal sapwood</td> </tr> <tr> <td>smooth surface</td> <td>selected grain</td> </tr> </table> <p>Product clean look is created by minimalistic natural wood color variation, occasional small knots up to 10mm, as well as rare light sapwood.</p> 	natural wood	rare knots	even texture	perfect look	uniform	slight color variation	clean planks	minimal sapwood	smooth surface	selected grain
natural wood	rare knots											
even texture	perfect look											
uniform	slight color variation											
clean planks	minimal sapwood											
smooth surface	selected grain											
Look	Semi-open pores, wire brushed											
Feeling	Transfer warmth of natural wood											
Type	UV cured modified polyurethane-acrylate											
Wear resistance	High											
Scratch resistance	Medium											
Slip resistance	50 (SRV dry)											
Resistance to chemical agents	Class 5 (Except blue ink)											
Maintenance	Maintenance free											
Repairability	Easy											

TECHNICAL INFORMATION			
Characteristics (EN 14342)		Deviations (EN 13489)	
Formaldehyde emission class	E1; ULEF	Deviation on Thickness	0,2 mm
Pentachlorophenol content	None	Deviation on Width	0,2 mm
Thermal resistance	0,118 m ² K/W	Height Difference	0,2 mm
Thermal conductivity	0,161 W/(m K)	Cup	<0,2% of width
Fire resistance	Dfl-s1	Bow	<0,5% of length
		Spring	<0,1% of length



INSTALLATION	STORAGE & USE
 <p>Glue down over concrete, plywood or wooden subfloor or nail down over wooden subfloor. Applicable above, on and below ground level. Suitable for underfloor heating.</p>	 <p>Air Humidity 40-65% Temperature +18°C ... +22°C (64°F ... 72°F)</p>

CARE & MAINTENANCE	DESCRIPTIONS & IMAGERY
Maintenance of hardwood floors with UV Silk assumes normal (daily if necessary) cleaning from dust and grit using a vacuum, followed by a thorough cleaning with floor cleaner. Floor surface areas that receive the most traffic and get worn down quicker, such as areas by the front door, hallways, kitchens etc. should be periodically renewed with oil.	Flooring colors displayed in digital platforms may vary according to the color settings of the monitor you are using.