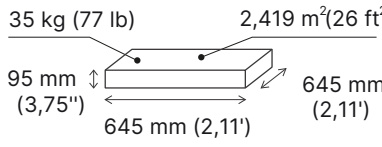


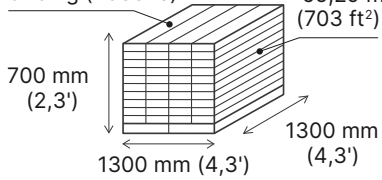


HARDWOOD FLOORING

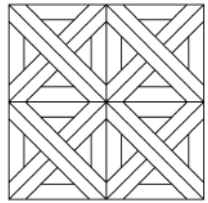


TECHNICAL DETAILS

Notes:	Pattern: Cross 	Color: Natural
---------------	---	-----------------------


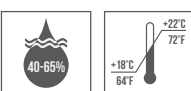
PRODUCT INFO		PACKAGING		STRUCTURE
Species	White European Oak	BOX 35 kg (77 lb) 2,419 m ² (26 ft ²)  95 mm (3,75") 645 mm (2,11") 645 mm (2,11")	2-layer Engineered Construction *	
Finish	Unfinished		Solid wood 4 mm ** 	
Structure	Engineered (2-layer)		Plywood *** 	
Joint	T&G			
Bevel	Micro (0,5 mm)			
Surface	Sanded	PALLET 945 kg (2083 lb) 65,29 m ² (703 ft ²)  700 mm (2,3') 1300 mm (4,3') 1300 mm (4,3')	* High Balance and Stability	
Grade	Nature		** Saw Cut White European Oak	
DIMENSIONS			*** Birch water resistant plywood	
Thickness	15 mm (5/8")			
Width	635 mm (2')			
Row Length	635 mm (2')			

FINISH DESCRIPTION

Sheen \ Gloss	n/a	<table border="1"> <tr><td>natural wood</td><td>small burls</td></tr> <tr><td>authentic natural</td><td>oak texture</td></tr> <tr><td>slight</td><td>color variation</td></tr> <tr><td>moderate</td><td>sapwood</td></tr> <tr><td>natural</td><td>restored knots</td></tr> </table> <p>Nature grade looks pretty clean. Though, any natural wood might vary. Surface allows reasonable burls, light brown streaks, some restored knots. Slight imperfections in face work (torn grain) and burns are admitted.</p> 	natural wood	small burls	authentic natural	oak texture	slight	color variation	moderate	sapwood	natural	restored knots
natural wood	small burls											
authentic natural	oak texture											
slight	color variation											
moderate	sapwood											
natural	restored knots											
Look	Smooth											
Feeling	Transfer warmth of natural wood											
Type	Unfinished											
Wear resistance	n/a											
Scratch resistance	n/a											
Slip resistance	n/a											
Resistance to chemical agents	n/a											
Maintenance	n/a											
Repairability	Easy											

TECHNICAL INFORMATION			
Characteristics (EN 14342)		Deviations (EN 13489)	
Formaldehyde emission class	E1; ULEF	Deviation on Thickness	0,2 mm
Pentachlorophenol content	None	Deviation on Width	0,2 mm
Thermal resistance	0,118 m ² K\W	Height Difference	0,2 mm
Thermal conductivity	0,161 W\ (m K)	Cup	<0,2% of width
Fire resistance	Dfl-s1	Bow	<0,5% of length
		Spring	<0,1% of length

PRODUCT USE

INSTALLATION	STORAGE & USE
 <p>Glue down over concrete, plywood or wooden subfloor or nail down over wooden subfloor. Applicable above, on and below ground level. Suitable for underfloor heating.</p>	 <p>Air Humidity 40-65% Temperature +18°C ... +22°C (64°F ... 72°F)</p>

CARE & MAINTENANCE	DESCRIPTIONS & IMAGERY
Maintenance of hardwood floors with UV Silk assumes normal (daily if necessary) cleaning from dust and grit using a vacuum, followed by a thorough cleaning with floor cleaner. Floor surface areas that receive the most traffic and get worn down quicker, such as areas by the front door, hallways, kitchens etc., should be periodically renewed with oil.	Flooring colors displayed in digital platforms may vary according to the color settings of the monitor you are using.

