

HARDWOOD FLOORING

TECHNICAL DETAILS

Notes:

Pattern: Plank

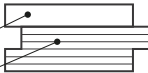


Color: Sepia

PRODUCT INFO


PACKAGING

STRUCTURE

Species	White European Oak	BOX	32 kg (71 lb)	2,888 m ² (31 ft ²)	2-layer Engineered Construction * Solid wood 4 mm ** Plywood *** 
Finish	UV Silk		125 mm (5")	200 mm (7,9")	
Structure	Engineered (2-layer)		1915 mm (6,3')		
Joint	T&G				
Bevel	Micro (0,5 mm)				
Surface	Light Brush	PALLET	1294 kg (2852 lb)	115,52 m ² (1243 ft ²)	* High Balance and Stability ** Saw Cut White European Oak *** Birch water resistant plywood
Grade	Character		1050 mm (3,45')	1930 mm (6,4')	
DIMENSIONS			1030 mm (3,4')		
Thickness	15 mm (5/8")				
Width	190 mm (7,5")				
Row Length	1900 mm (6,25')				
Shorts	25%				

FINISH

Description

Sheen \ Gloss	Semi-Matte	<table border="1"> <tr> <td>antique wood</td> <td>worm holes</td> </tr> <tr> <td>authentic natural</td> <td>oak texture</td> </tr> <tr> <td>diverse</td> <td>color variation</td> </tr> <tr> <td>sapwood</td> <td>unlimited burls</td> </tr> <tr> <td>brown streaks</td> <td>tight knots</td> </tr> </table> <p>Character Grade creates an effect of antique wood and emphasizes authentic natural oak texture. Planks may contain diverse color variation, sapwood, unlimited burls, brown streaks, tight knots and properly filled open knots, warm holes as well as other imperfections in the face work (torn grain) to design advantage.</p> 	antique wood	worm holes	authentic natural	oak texture	diverse	color variation	sapwood	unlimited burls	brown streaks	tight knots
antique wood	worm holes											
authentic natural	oak texture											
diverse	color variation											
sapwood	unlimited burls											
brown streaks	tight knots											
Look	Semi-open pores, wire brushed											
Feeling	Transfer warms of natural wood											
Type	UV cured modified polyurethane-acrylate											
Wear resistance	High											
Scratch resistance	Medium											
Slip resistance	50 (SRV dry)											
Resistance to chemical agents	Class 5 (Except blue ink)											
Maintenance	Maintenance free											
Repairability	Easy											

TECHNICAL INFORMATION

Characteristics (EN 14342)		Deviations (EN 13489)	
Formaldehyde emission class	E1; ULEF	Deviation on Thickness	0,2 mm
Pentachlorophenol content	None	Deviation on Width	0,2 mm
Thermal resistance	0,118 m ² K\W	Height Difference	0,2 mm
Thermal conductivity	0,161 W\ (m K)	Cup	<0,2% of width
Fire resistance	Dfl-s1	Bow	<0,5% of length
		Spring	<0,1% of length

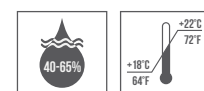
PRODUCT USE

INSTALLATION



Glue down over concrete, plywood or wooden subfloor or nail down over wooden subfloor. Semifloating installation as well. Applicable above, on and below ground level. Suitable for underfloor heating.

STORAGE & USE



Air Humidity 40-65%
Temperature +18°C ... +22°C (64°F ... 72°F)

CARE & MAINTENANCE

Maintenance of hardwood floors with UV Silk assumes normal (daily if necessary) cleaning from dust and grit using a vacuum, followed by a thorough cleaning with floor cleaner. Floor surface areas that receive the most traffic and get worn down quicker, such as areas by the front door, hallways, kitchens etc. should be periodically renewed with oil.

DESCRIPTIONS & IMAGERY

Flooring colors displayed in digital platforms may vary according to the color settings of the monitor you are using.