

# HARDWOOD FLOORING

## TECHNICAL DETAILS

Notes:

Pattern: Plank

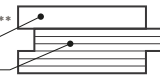


Color: Creamy

### PRODUCT INFO

### PACKAGING

### STRUCTURE

Species	White European Oak	<b>BOX</b>	32 kg (71 lb)	2,888 m <sup>2</sup> (31 ft <sup>2</sup> )	2-layer Engineered Construction * Solid wood 4 mm ** Plywood *** 
Finish	UV Silk		125 mm (5")	200 mm (7,9")	
Structure	Engineered (2-layer)		1915 mm (6,3')		
Joint	T&G				
Bevel	Micro (0,5 mm)				
Surface	Light Brush	<b>PALLET</b>	1294 kg (2852 lb)	115,52 m <sup>2</sup> (1243 ft <sup>2</sup> )	* High Balance and Stability ** Saw Cut White European Oak *** Birch water resistant plywood
Grade	Nature		1050 mm (3,45')	1930 mm (6,4')	
<b>DIMENSIONS</b>			1030 mm (3,4')		
Thickness	15 mm (5/8")				
Width	190 mm (7,5")				
Row Length	1900 mm (6,25')				
Shorts	25%				

### FINISH

### Description

Sheen \ Gloss	Matte	natural wood	small burls
Look	Semi-open pores, wire brushed	authentic natural	nice texture
Feeling	Transfer warms of natural wood	mild	color variation
Type	UV cured modified polyurethane-acrylate	moderate	some sapwood
Wear resistance	High	medullary spots	restored knots
Scratch resistance	Medium	Nature grade looks pretty clean in 190 mm width. Though, any natural wood might vary. Surface allows reasonable burls, light brown streaks, some restored knots, properly filled open checks and worm holes. Slight imperfections in face work (torn grain) and burns are admitted.	
Slip resistance	50 (SRV dry)		
Resistance to chemical agents	Class 5 (Except blue ink)		
Maintenance	Maintenance free		
Repairability	Easy		

### TECHNICAL INFORMATION

Characteristics (EN 14342)		Deviations (EN 13489)	
Formaldehyde emission class	E1; ULEF	Deviation on Thickness	0,2 mm
Pentachlorophenol content	None	Deviation on Width	0,2 mm
Thermal resistance	0,118 m <sup>2</sup> K\W	Height Difference	0,2 mm
Thermal conductivity	0,161 W\ (m K)	Cup	<0,2% of width
Fire resistance	Dfl-s1	Bow	<0,5% of length
		Spring	<0,1% of length

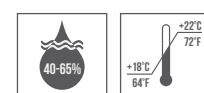
## PRODUCT USE

### INSTALLATION



Glue down over concrete, plywood or wooden subfloor or nail down over wooden subfloor. Semifloating installation as well. Applicable above, on and below ground level. Suitable for underfloor heating.

### STORAGE & USE



Air Humidity 40-65%  
Temperature +18°C ... +22°C (64°F ... 72°F)

### CARE & MAINTENANCE

Maintenance of hardwood floors with UV Silk assumes normal (daily if necessary) cleaning from dust and grit using a vacuum, followed by a thorough cleaning with floor cleaner. Floor surface areas that receive the most traffic and get worn down quicker, such as areas by the front door, hallways, kitchens etc. should be periodically renewed with oil.

### DESCRIPTIONS & IMAGERY

Flooring colors displayed in digital platforms may vary according to the color settings of the monitor you are using.